

4K Supply List -2018-19

Items to be ordered in Kit:

- 1 - 24 count box of Crayola crayons
- 2 packages (10) of Elmers Glue Sticks
- 1 bottle of Elmers White Glue
- 1 Package of 4 Pack Playdough
- Head Phones (no ear buds)
- 1 set of 8 Crayola watercolor paint set
- 1 package of 4 Expo dry erase markers
- 1 - 10 pack Classic Colors Crayola Wide Markers
- 1 pair of blunt Friskars scissors

4K Student Items:

- Backpack - big enough to fit a full size folder in (No wheels please!)
- 1 set of extra clothes, including underwear - try to send ones that are appropriate for all year (no shorts, tank tops, etc.)

We are also in need of the following items. If you would like to purchase and donate any of the following, it would be greatly appreciated.

Paper plates

Paper bowls

Spoons

Cups

Velcro

Noodles

Stickers

Cotton Balls

Tin Foil

5K School Supply List

Bloomer Elementary School

- 3 Boxes of crayons (24 pack, standard size) Crayola
- 2 Boxes of markers--10 in a box, (not the fine/thin point) Crayola
- 2 Bottles of glue (4 oz, not gel glue) Elmers
- 15-20 Small Elmer's glue sticks (go on purple and dry clear)
- Scissors (blunt end) Fiskars
- 1 Box of Kleenex
- 1 Pocket folder (Mead)
- 2 Containers of Clorox Wipes (generic brand is great too!)
- Zip Loc bags-- 1 sandwich, 1 gallon, and 1 snack size
- 1 package of small size Dixie cups (3 oz.)
- 1 package of small paper plates
- 1 package of black expo markers

THANK
YOU



Grade 1 School Supplies List

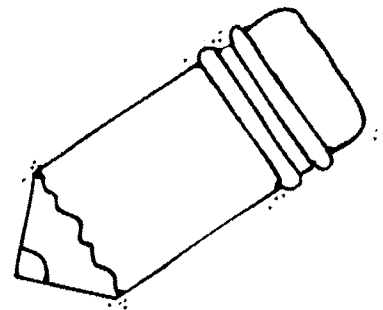
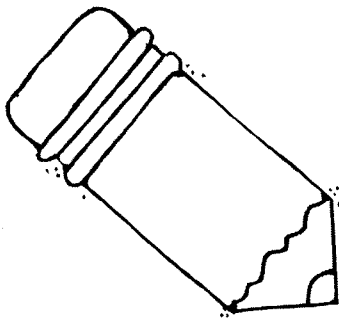
- 1 package (1 dozen) of No. 2 pencils (no pens and no plastic coating please)
- 2 pink rubber erasers
- 2 boxes of Crayola Crayons (no more than 24)
 - We will save one box to use midyear!
- 12 (or more) small Elmers glue sticks
- 1 pencil box-approximately 8 X 5 plastic (not oversized)
- 1 blunt tip Fiskar scissors
- 2 pocket folders
- 2 large boxes of Kleenex
- 1 pack of 10 wide Crayola markers (washable)
- 1 spiral notebook (wide-lined)
- 1 package of **thin Expo Brand Markers** (4 pack) and a sock or washcloth
- 1 One inch clear view binder
- 1 set of inexpensive headphones for the computer lab (No ear buds please!)
- 1 school bag big enough for Mini-Hawk folder
- 1 large Ziploc bag with a set of extra clothes (pants, underwear, socks, shirt)
- Tennis shoes must be worn for all Phy. Ed. Classes
- 1 container of Clorox wipes
- 1 package of Ziploc baggies (snack, sandwich, quart, or gallon size)

Optional: paper plates, plastic spoons, dixie cups

Please put your child's name on all of their supplies!

Thank You So Much!

☺ The First Grade Team ☺



Second Grade Supply List

3 Packs- #2 pencils (no plastic coated pencils please)

1 small pack of pencil top erasers (10-12)

1 Pencil Box

24 pack Crayola crayons

2 packs of markers (1 thick, 1 thin)

1 pack colored pencils

1 bottle Elmer's Glue (4 oz)

6-8 small glue sticks

1 pair of student Fiskars scissors

3 wide-rule spiral notebook

1 composition notebook (9.75 x 7.5in)

1 pack of loose leaf wide-ruled paper

1 Blue 2 pocket folder

1 pastel colored 3-pack of Post-It Notes (3x3)

1 set of headphones for use with computers (small jack size, no earbuds)

2 large boxes of Kleenex to share with class

1 container of Clorox wipes or baby wipes

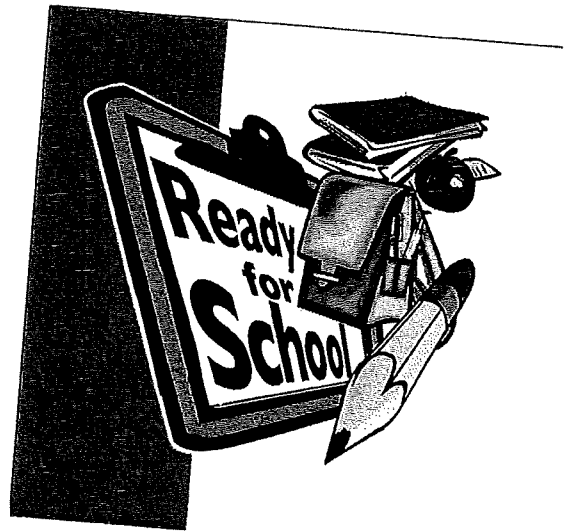
1 large back pack

1 box or bag of snacks to share with class



Bloomer Elementary 3rd Grade Supply List

- Composition notebook- 100 sheets
- 3 spiral notebooks-3 different colors
- 4 durable folders
- 1 3 prong folder-orange
- 3 pkgs. of number 2 pencils
- 1 pencil bag
- 6 glue sticks
- 7" pointed tip scissors
- 8 pack of markers
- 12 pack of colored pencils
- 1 larger latex free eraser
- 2 pkgs. of 3x3 post-its
- 1 box of Kleenex
- 1 Large latex free eraser



4th Grade Supply List

5- 1-subject notebooks in the following colors: Red, Yellow, Blue, Green, and Purple

5 pocket folders in the same colors as the notebooks

1 1in binder

1 box of 12 colored pencils

1 box of 24 crayons

2 glue sticks

Scissors (medium)

1 small zipper pencil case

6" Clear plastic protractor

12 pack of markers

10- #2 pencils

Pack of red pens

Headphones (stored in a ziplock bag with name)

Box of Kleenex

Box of gallon or quart ziplock bags

Erasers

Expo dry erase markers

Lysol wipes

5 pad Post Its 3" x 3" Variety of Colors