

4K Supply List - 2017-2018

There is NO NEED to label individual items, only backpack and spare clothes need to be labeled.

- 1 - 24 count box of **Crayola** crayons
- 2 packages (10) of **Elmers Glue Sticks**
- 3 containers of **Clorox/Lysol Wipes**
 - 1 Package of 4 Pack Playdough
 - 1 Box of Kleenex
 - Head Phones (no ear buds)
- 1 Box of **Quart** size Ziploc bags - AM Class
- 1 Box of **Gallon** size Ziploc bags - PM Class
- 1 set of 8 **Crayola** watercolor paint set - AM Class
- 1 package of 4 Expo dry erase markers - PM Class
- 1 package of Magic Erasers (2 pack)
- 1 - 10 pack Crayola Wide Markers
- Backpack - big enough to fit a full size folder in (No wheels please!)
- 1 set of extra clothes, including underwear - try to send ones that are appropriate for all year (no shorts, tank tops, etc.)

We are also in need of the following items. If you would like to purchase and donate any of the following, it would be greatly appreciated.

Paper plates

Paper bowls

Spoons

Cups

Velcro

Noodles

Stickers

Cotton Balls

5K School Supply List

Bloomer Elementary School

- 3 Boxes of crayons (16 pack, standard size)
- 2 Boxes of markers--8 in a box, (not the fine/thin point)
- 2-4 Yellow highlight markers
- 2 Bottles of glue (8 oz, not gel glue)
- 15-20 Small Elmer's glue sticks (go on purple and dry clear)
- Scissors (blunt end)
- 1 Box of Kleenex
- Small pillow (12 inch is best)
- 1 Beach towel
- 1 Pocket folder
- 2 Containers of Chlorox Wipes (generic brand is great too!)
- 1 Box of Zip Loc bags-- quart size and/or gallon size
- 1 Box of small size Dixie cups (3 oz.)
- One set of extra clothes in a labeled Zip Loc bag (shirt, pants, underwear, socks)

Optional:

- Expo dry erase markers
- Small paper plates
- Cotton balls
- Sandwich size plastic bags
- White lunch bags
- Plastic spoons & forks

THANK
YOU



Grade 1 School Supplies List

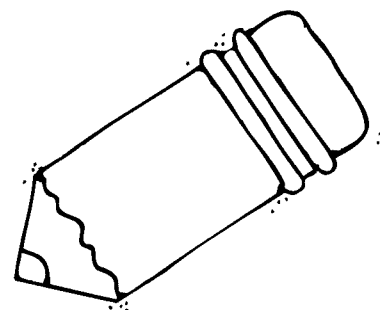
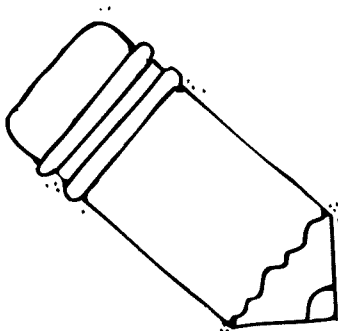
- 1 package (1 dozen) of No. 2 pencils (no pens and no plastic coating please)
- 2 pink rubber erasers
- 2 boxes of Crayola Crayons (no more than 24)
 - We will save one box to use midyear!
- 12 (or more) small Elmers glue sticks
- 1 pencil box-approximately 8 X 5 plastic (not oversized)
- 1 Fiskar scissors
- 1 pocket folder
- 2 large boxes of Kleenex
- 1 box of wide markers (washable)
- 1 spiral notebook (wide-lined)
- 1 package of **thin Expo** Brand Markers (4 pack) and a sock or washcloth
- 1 One inch binder
- 1 set of inexpensive headphones for the computer lab (No ear buds please!)
- 1 school bag big enough for Mini-Hawk folder
- 1 large Ziploc bag with a set of extra clothes (pants, underwear, socks, shirt)
- Tennis shoes must be worn for all Phy. Ed. Classes
- Clorox wipes
- 1 package of Ziploc baggies (snack, sandwich, or gallon size)

Optional: paper plates, plastic spoons, dixie cups

Please put your child's name on all of their supplies!

Thank You So Much!

☺ The First Grade Team ☺



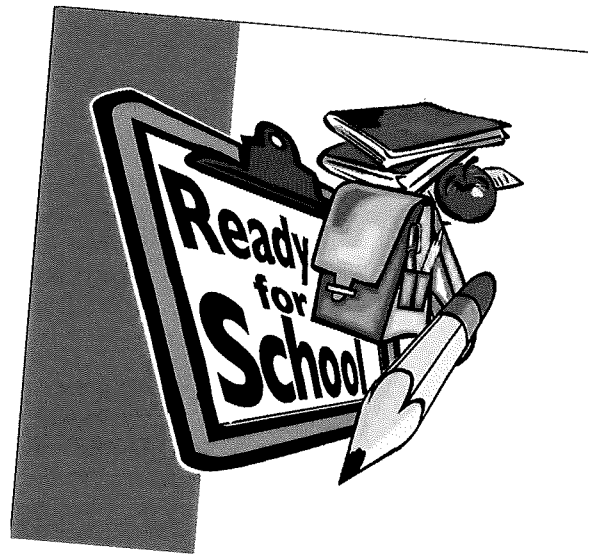
Second Grade Supply List

- 3 Packs- #2 pencils (no plastic coated pencils please)
- 1 small pack of pencil top erasers (10-12)
- 1 Pencil Box
- 24 pack Crayola crayons
- 2 packs of markers (1 thick, 1 thin)
- 1 pack colored pencils
- 1 bottle Elmer's Glue (4 oz)
- 6-8 small glue sticks
- 1 pair of student Fiskars scissors
- 3 wide-rule spiral notebook
- 1 composition notebook (9.75 x 7.5in)
- 1 pack of loose leaf wide-ruled paper
- 1 Blue 2 pocket folder
- 1 pastel colored 3-pack of Post-It Notes (3x3)
- 1 set of headphones for use with computers (small jack size, no earbuds)
- 2 large boxes of Kleenex to share with class
- 1 container of Clorox wipes or baby wipes
- 1 large back pack
- 1 box or bag of snacks to share with class



Bloomer Elementary 3rd Grade Supply List

- Composition notebook- 100 sheets
- 3 spiral notebooks-3 different colors
- 4 durable folders
- 1 3 prong folder-orange
- 3 pkgs. of number 2 pencils
- 1 pencil bag
- 6 glue sticks
- 7" pointed tip scissors
- 8 pack of markers
- 12 pack of colored pencils
- 1 larger latex free eraser
- 2 pkgs. of 3x3 post-its
- 1 box of Kleenex
- 1 Large latex free eraser



4th Grade Supply List

5- 1-subject notebooks in the following colors: Red, Yellow, Blue, Green, and Purple

5 pocket folders in the same colors as the notebooks

1 1in binder

1 box of 12 colored pencils

1 box of 24 crayons

2 glue sticks

Scissors (medium)

1 small zipper pencil case

6" Clear plastic protractor

12 pack of markers

10- #2 pencils

Pack of red pens

Headphones (stored in a ziplock bag with name)

Box of Kleenex

Box of gallon or quart ziplock bags

Erasers

Expo dry erase markers

Lysol wipes

5 pad Post Its 3" x 3" Variety of Colors